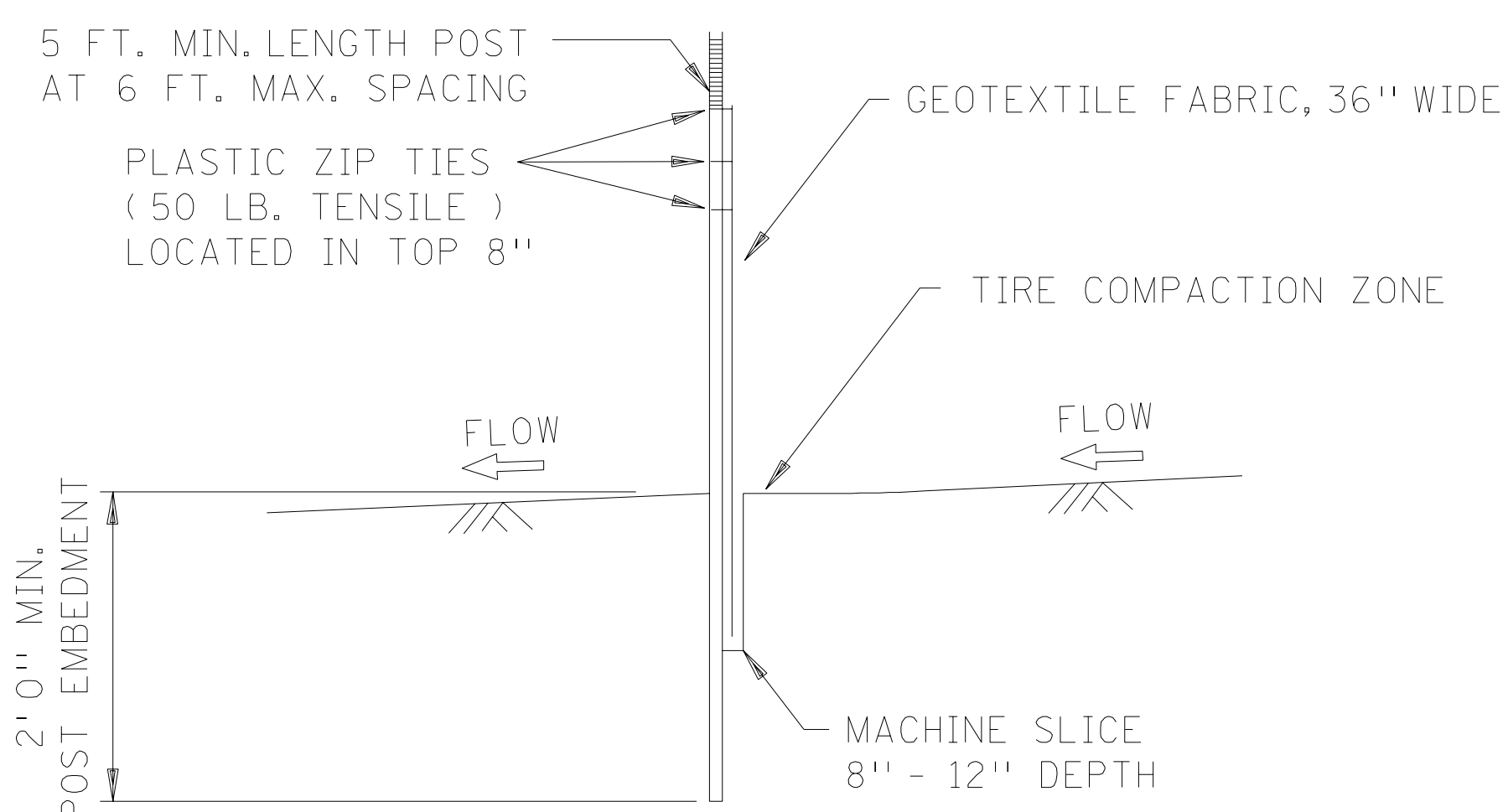


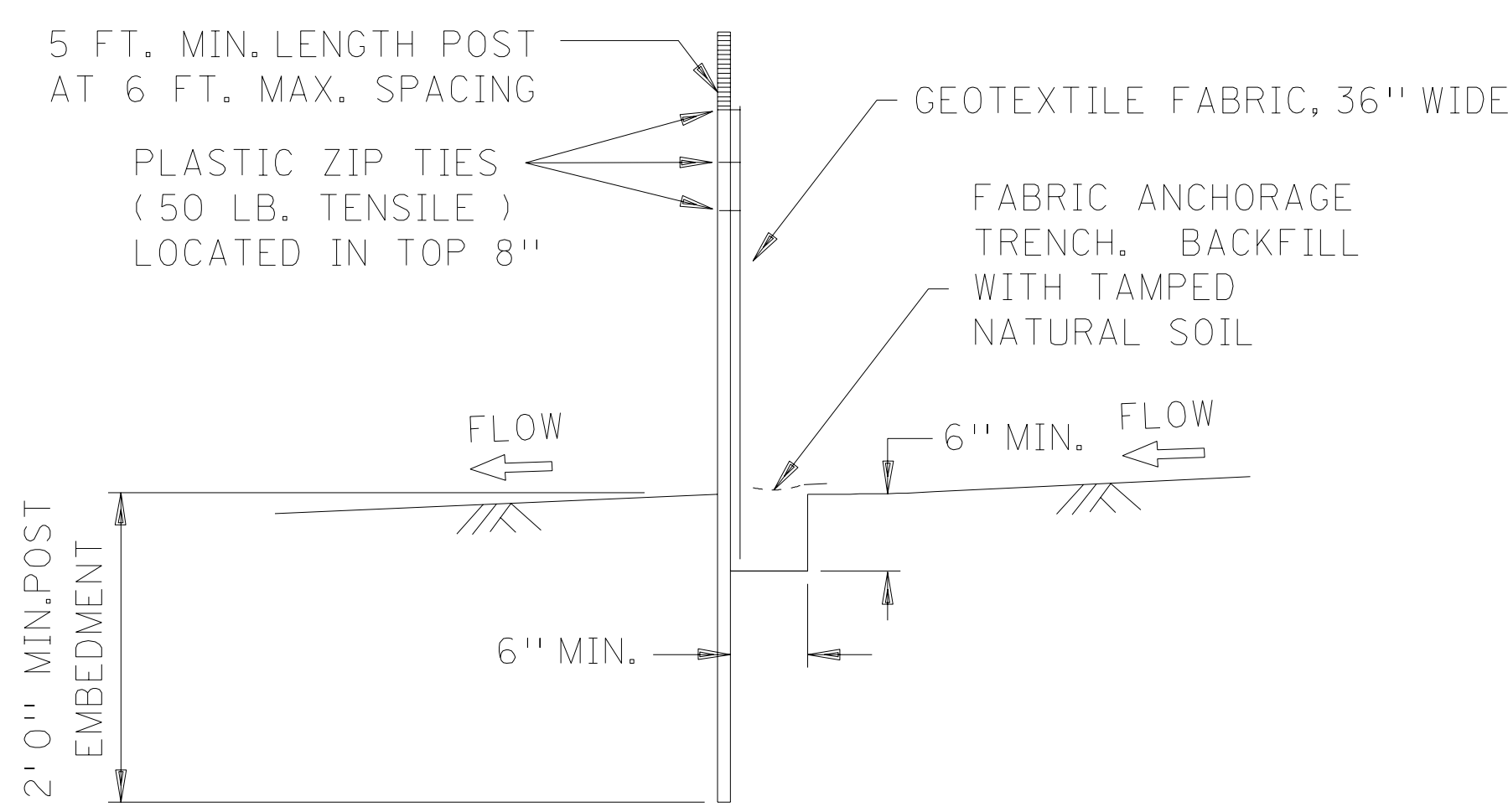
PLOTTED/REVISED: \$\$\$@DATE@\$\$\$

\$\$\$@PATH@FILENAME@\$\$\$

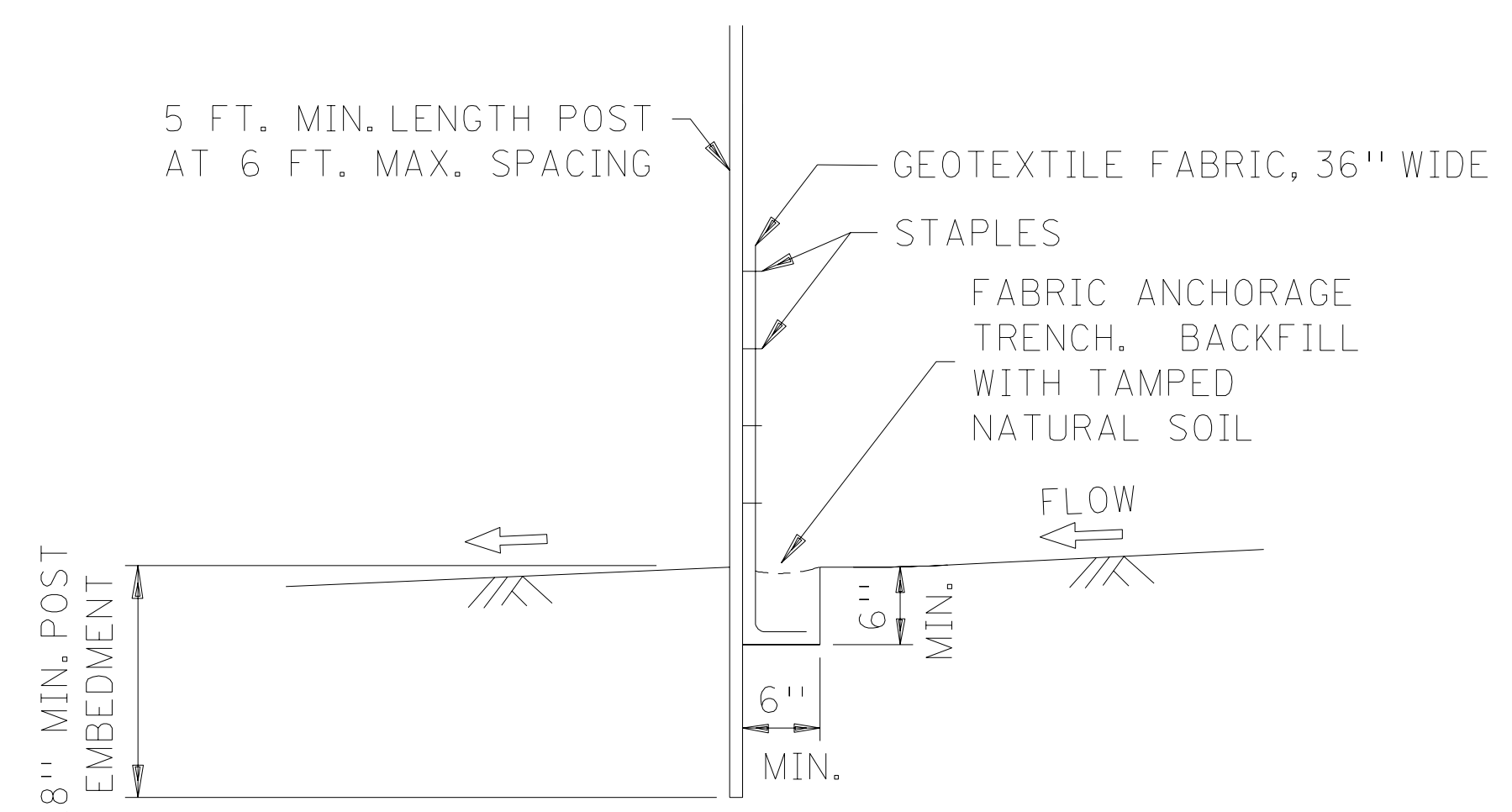
I PLOT NAME: \$\$\$@IPLOTSNAME@\$\$\$  
PATH & FILE NAME:  
FILE NAME: S4052C01.SPN



SILT FENCE, MACHINE SLICED ① ②



SILT FENCE, HEAVY DUTY ① ②



SILT FENCE, PREASSEMBLED ① ②

SILT FENCE TO BE PLACED ON CONTOUR. SEE SLOPE/GRADE AND LENGTH CRITERIA BELOW

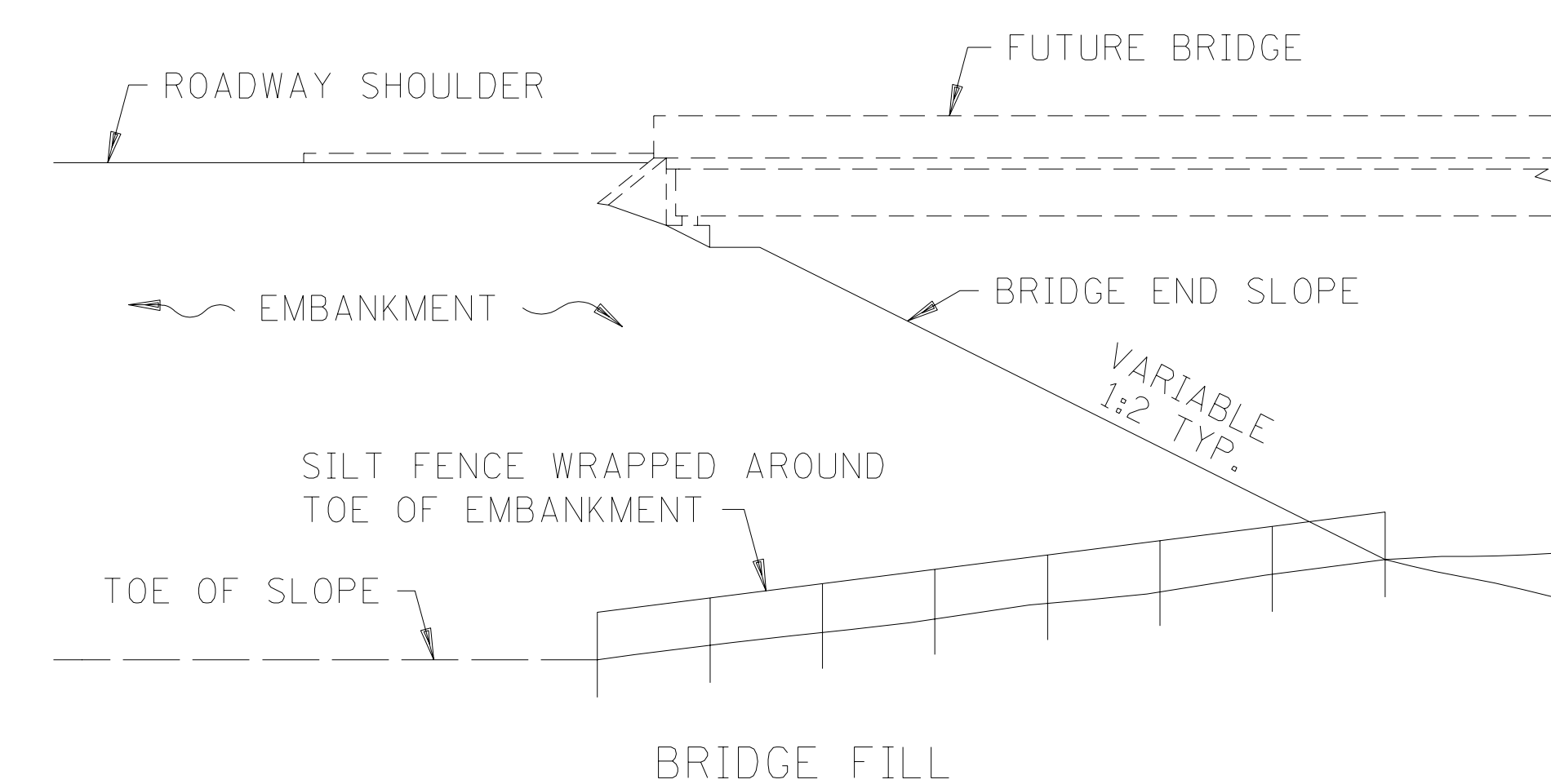


LOCATION OF SILT FENCE FOR SEDIMENT CONTROL

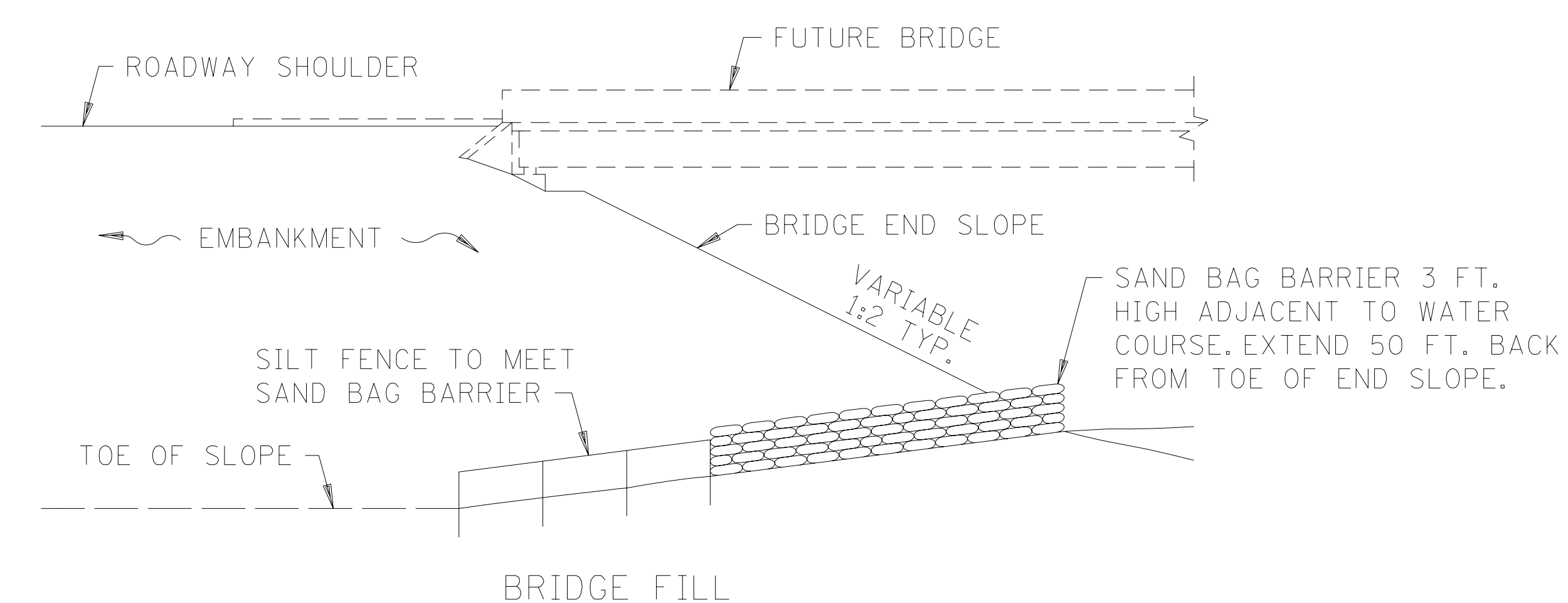
SLOPE GRADE	MAX LENGTH
LESS THAN 2%	100 FEET
2 - 5 %	75 FEET
5 - 10 %	50 FEET
10 - 20 %	25 FEET
GREATER THAN 20%	15 FEET



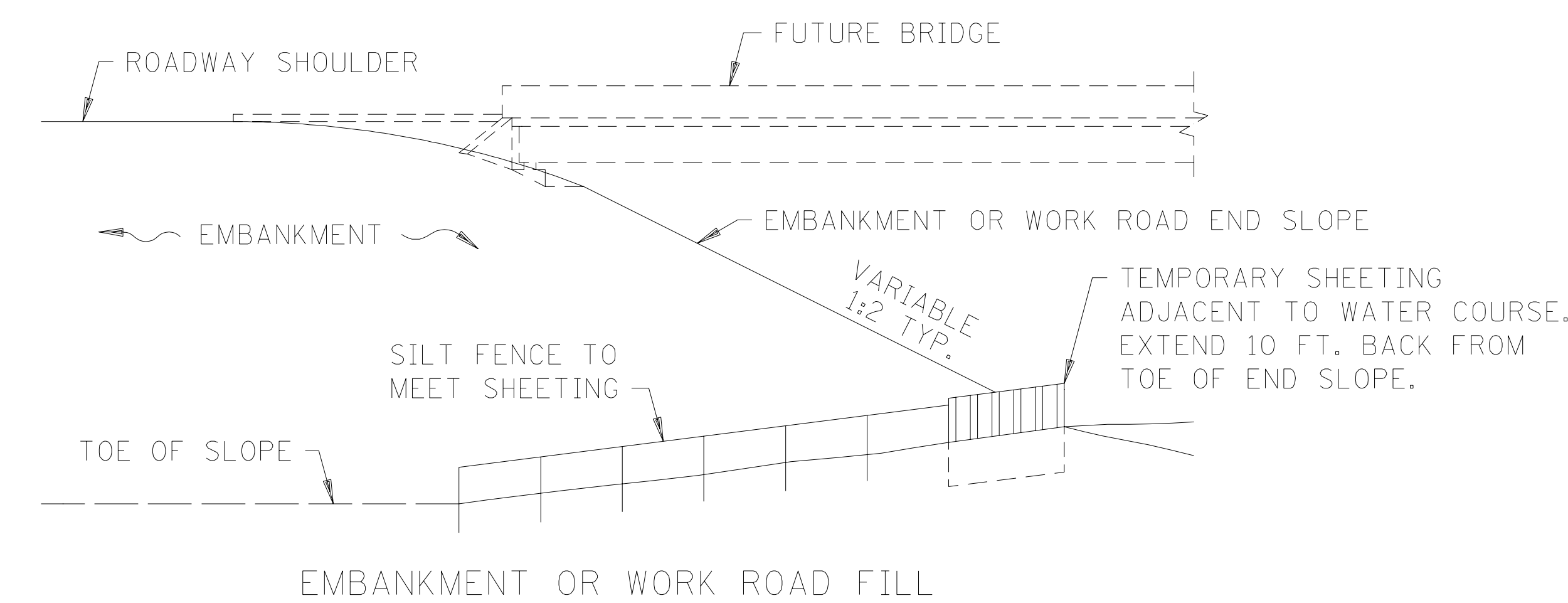
LOCATION OF SILT FENCE FOR PEREMITER CONTROL



DESIGN GUIDELINES:  
WATER COURSE FLOW VELOCITY: STAGNANT  
CONTRIBUTING SLOPE AREA: 1/2 ACRE



DESIGN GUIDELINES:  
MAX. WATER COURSE FLOW VELOCITY: 7 FT./SEC.  
CONTRIBUTING SLOPE AREA: 1 ACRE



DESIGN GUIDELINES:  
MAX. WATER COURSE FLOW VELOCITY: 15 FT./SEC.  
CONTRIBUTING SLOPE AREA: 3 ACRES

SILT FENCE AT BRIDGE EMBANKMENT

NOTES:  
SEE SPECS. 2573 & 3886.  
① TO PROTECT AREA FROM SHEET FLOW  
② MAXIMUM CONTRIBUTING AREA: 1 ACRE

STANDARD SHEET NO. 5-297.408 (1 OF 2)	TITLE: TEMPORARY SEDIMENT CONTROL SILT FENCE
STANDARD APPROVED: JULY 30, 2001	
STATE PROJ. NO. _____ SHEET NO. ____ OF ____ SHEETS	