

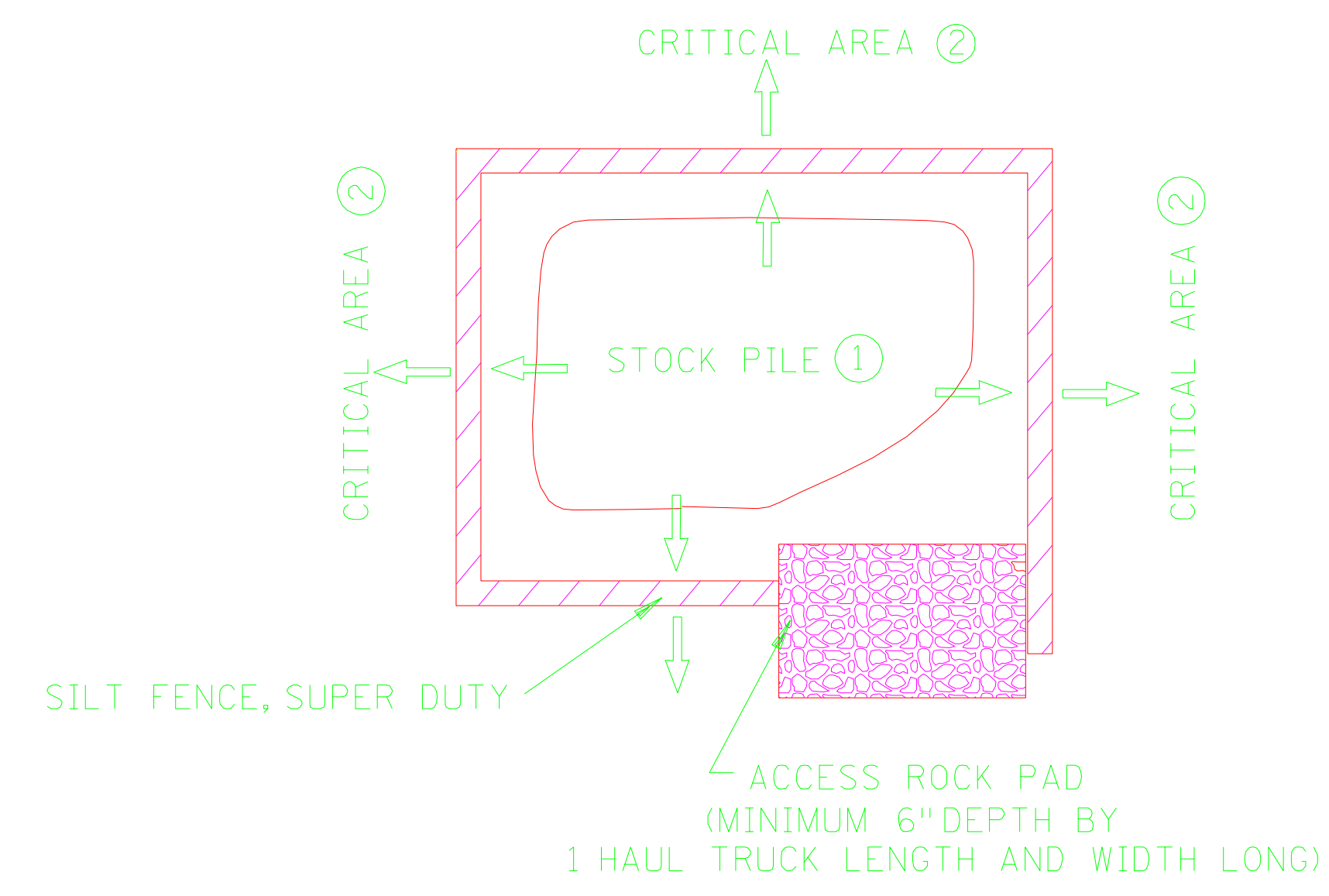
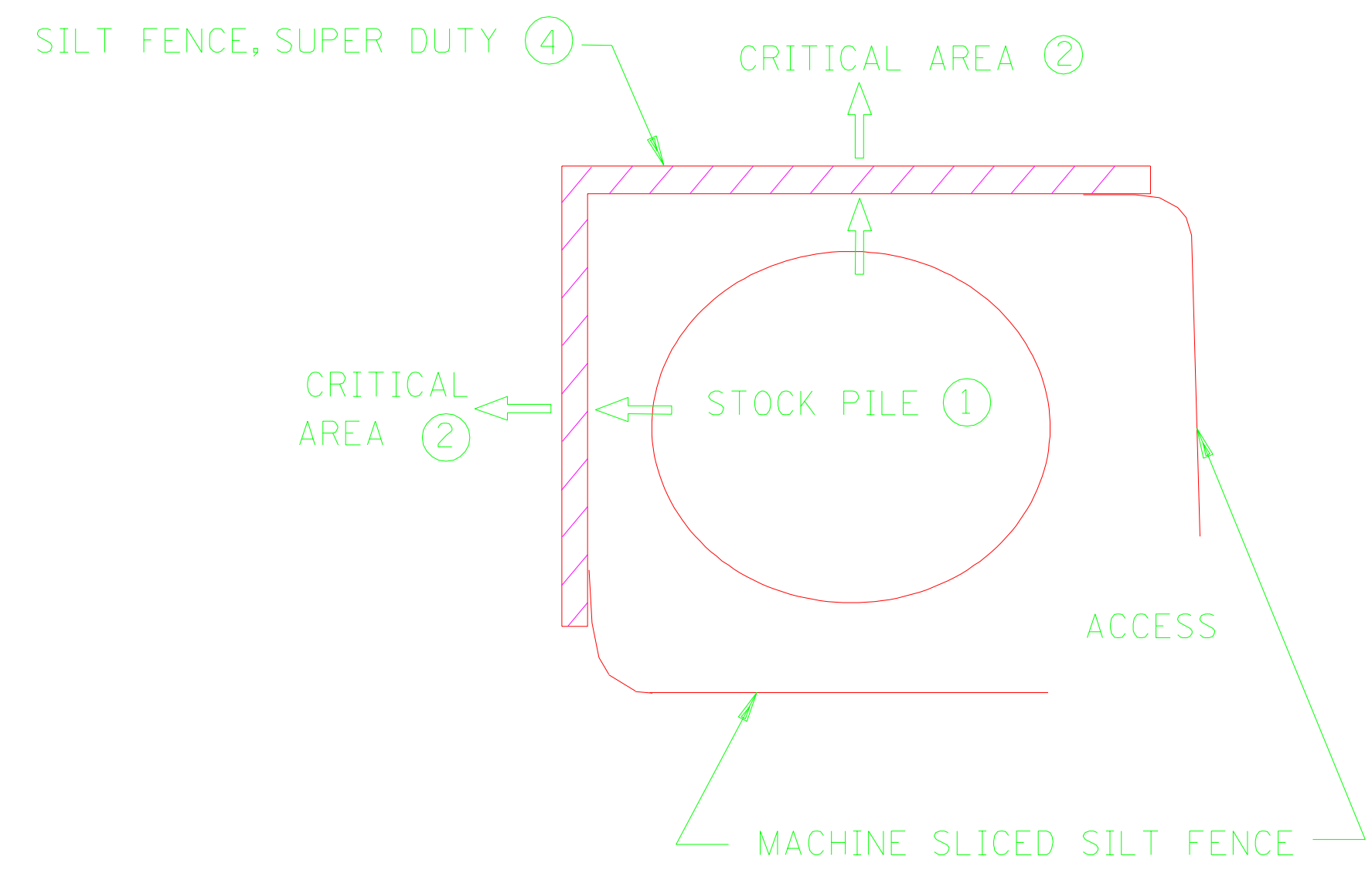
PLOTTED/REVISED: \$\$\$@DATE@\$\$\$

PLOTTED/REVISED: \$\$\$@DATE@\$\$\$

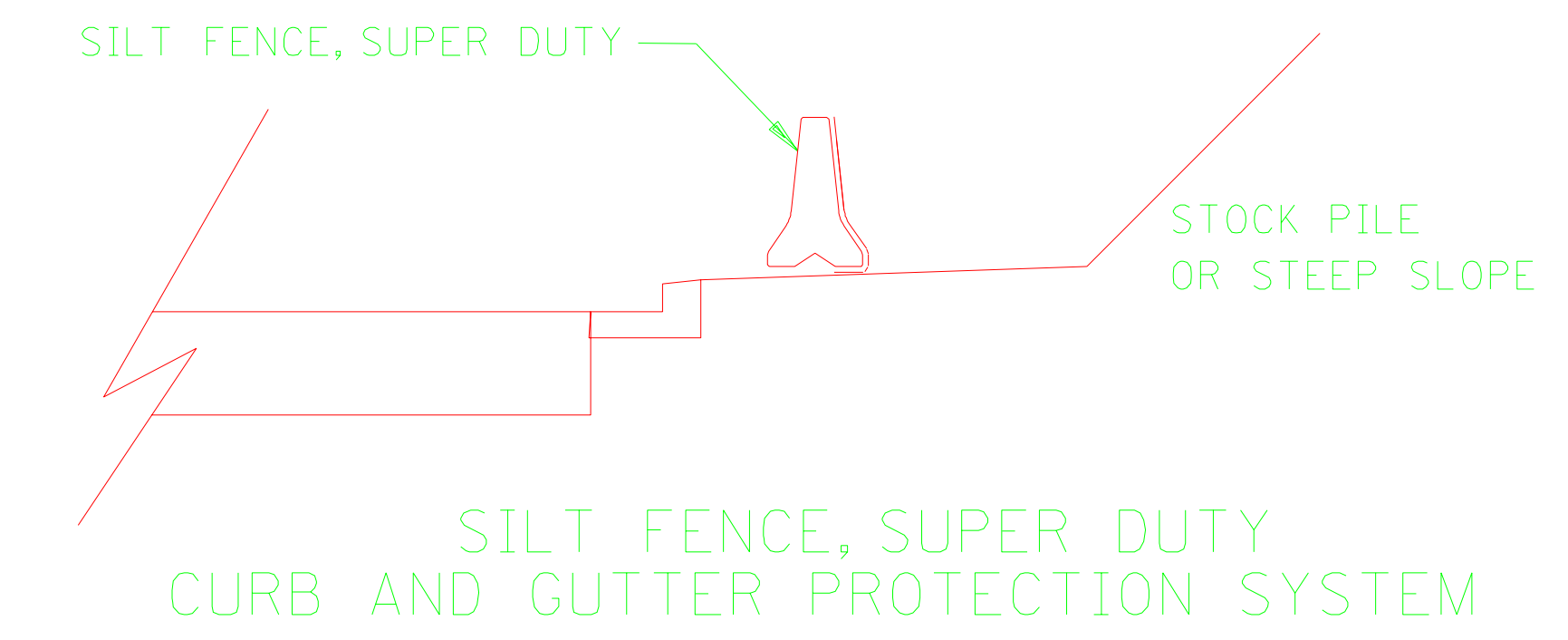
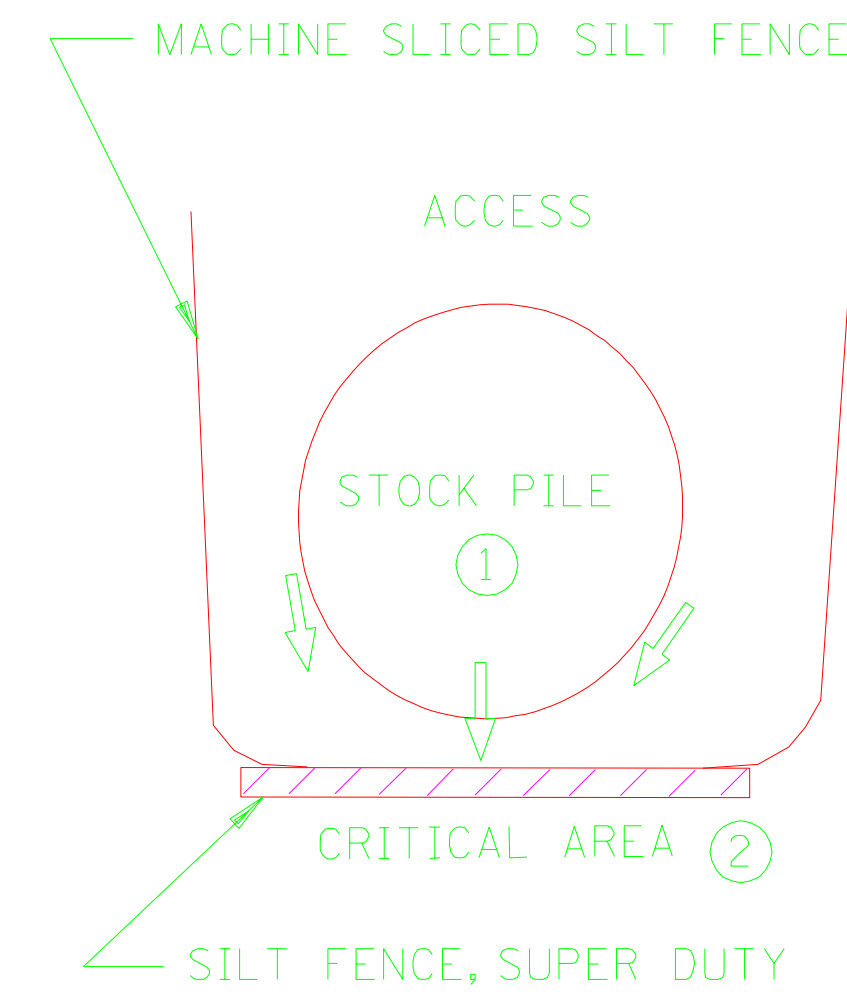
\$\$\$@PATH@FILENAME@\$\$\$

\$\$\$@PATH@FILENAME@\$\$\$

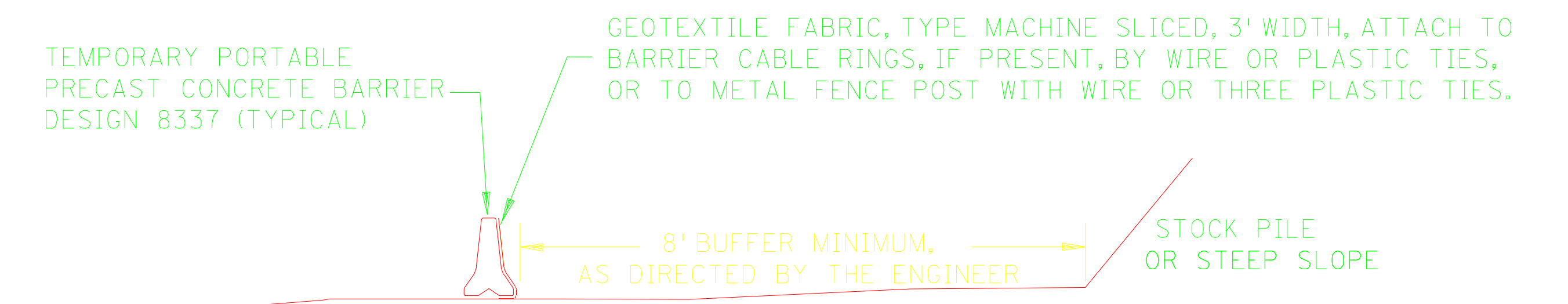
\$\$\$@IPLNAME@\$\$\$
\$\$\$@IPLNAME@\$\$\$
\$\$\$@IPLNAME@\$\$\$



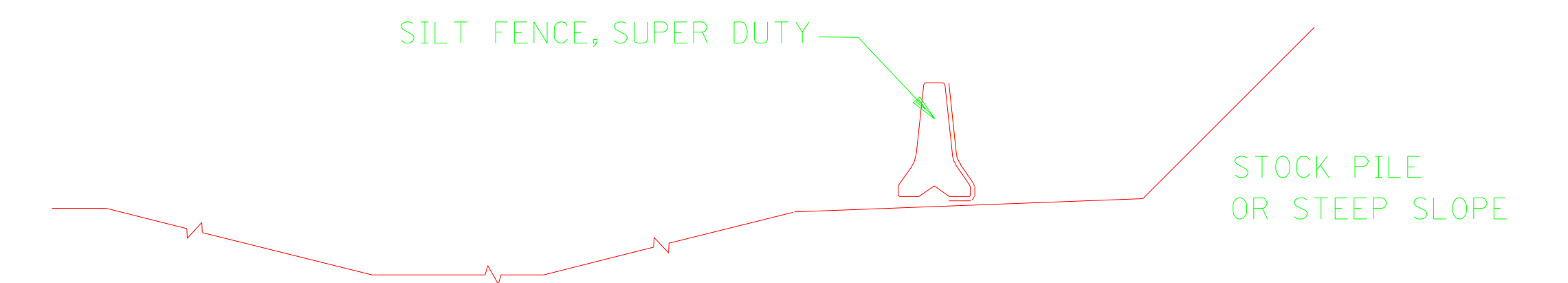
SILT FENCE, SUPER DUTY STOCK PILE CONTAINMENT



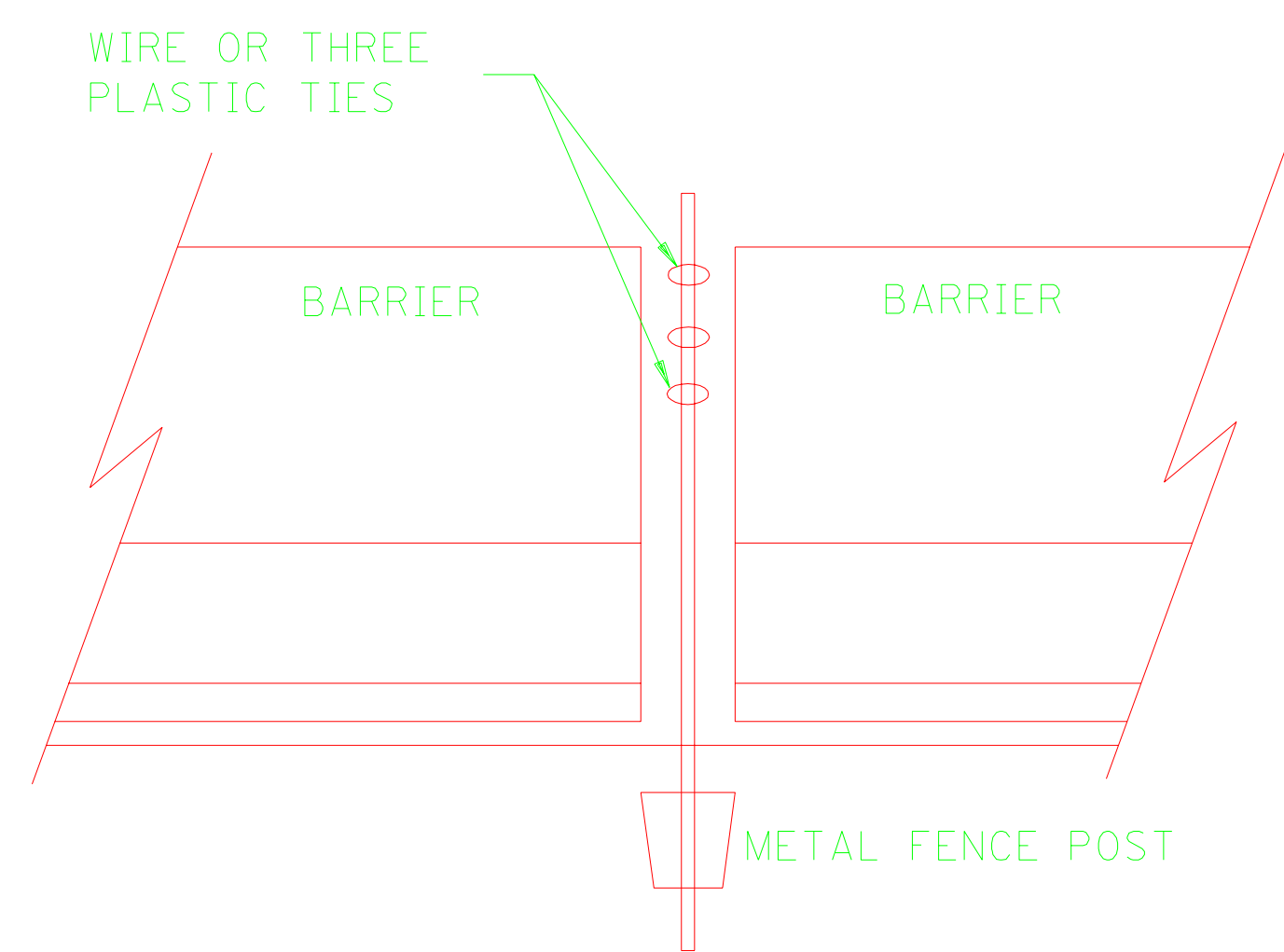
SILT FENCE, SUPER DUTY CURB AND GUTTER PROTECTION SYSTEM



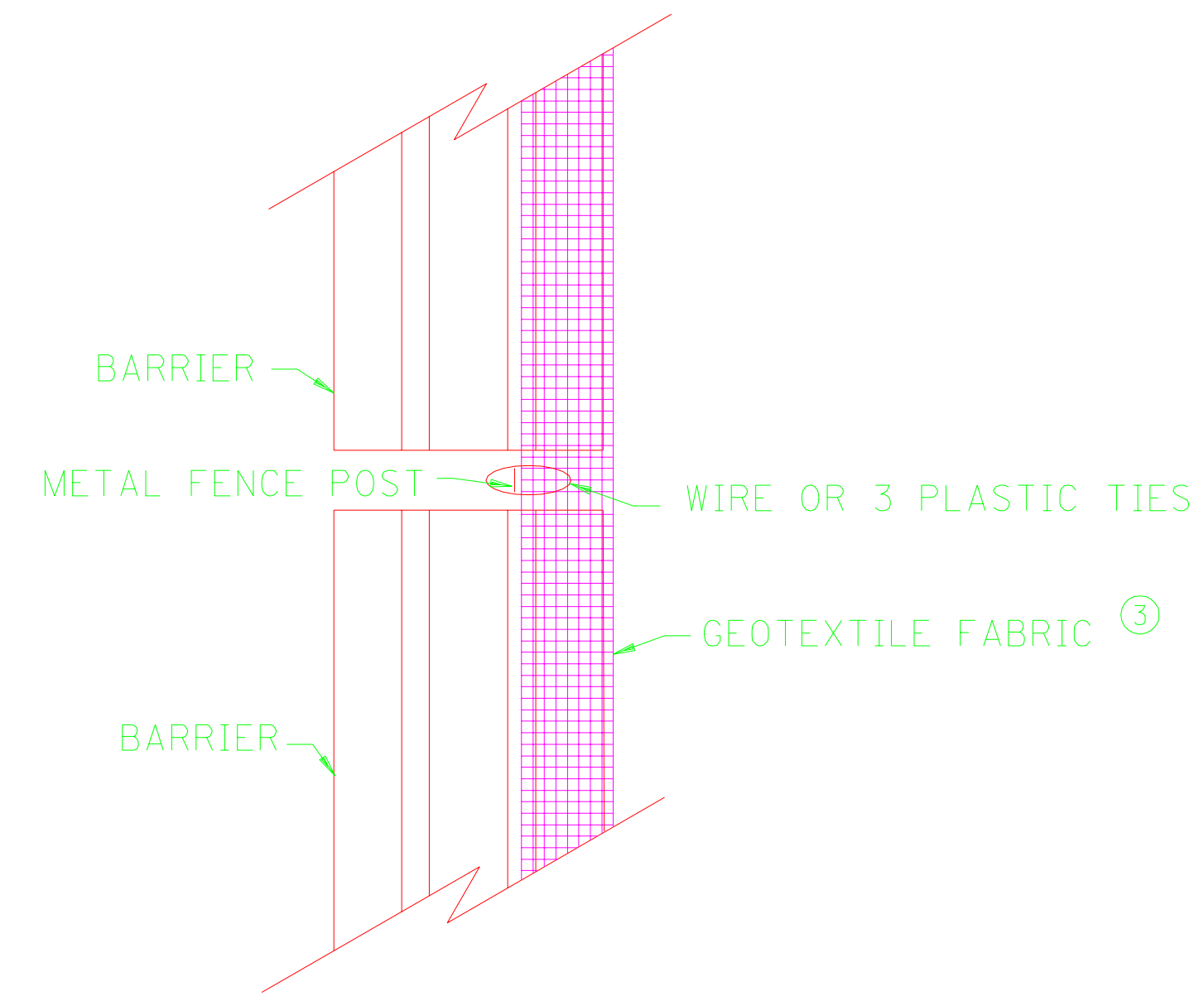
SILT FENCE, SUPER DUTY STOCKPILE SEDIMENT CONTROL



SILT FENCE, SUPER DUTY DITCH PROTECTION SYSTEM

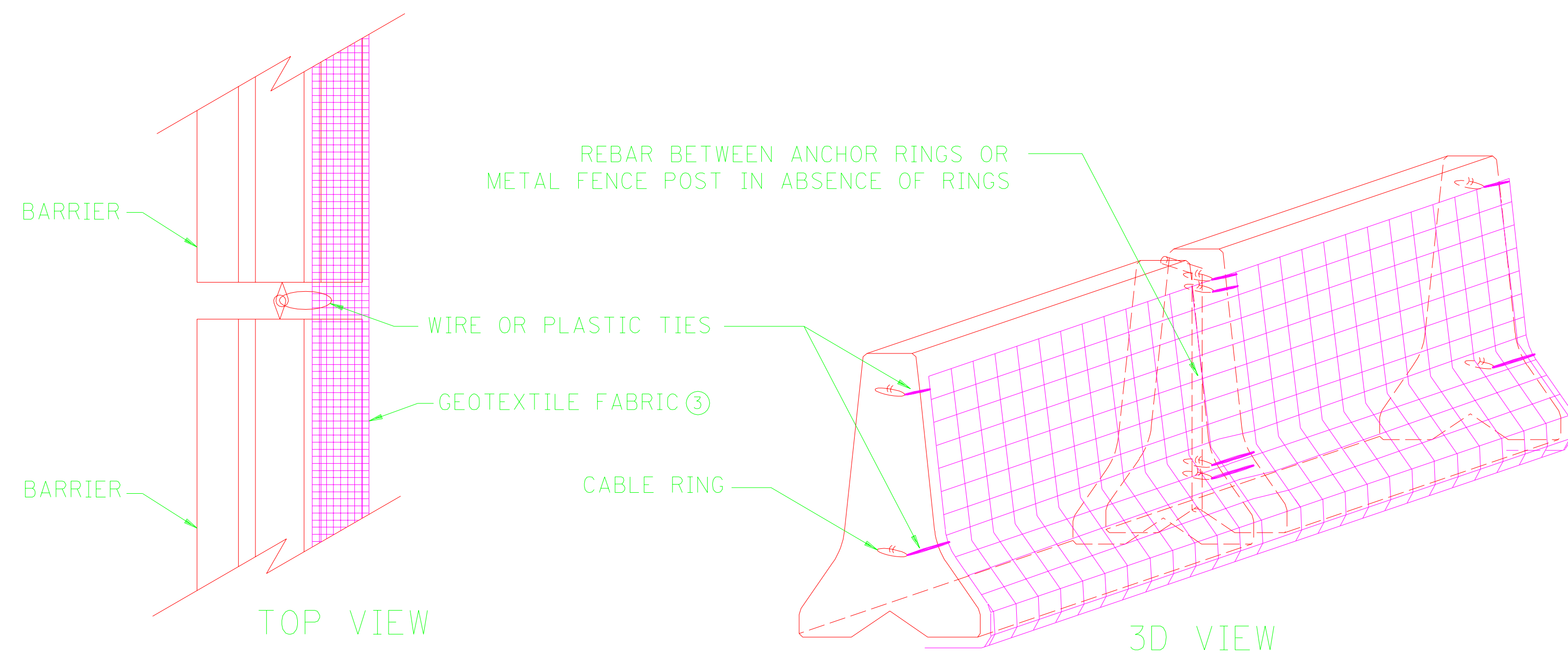


SIDE VIEW



TOP VIEW

BARRIER WITHOUT CABLE RINGS



TOP VIEW

3D VIEW

BARRIER WITH CABLE RINGS
SILT FENCE, SUPER DUTY ⑤

NOTES:

- ① PLACING STOCK PILES NEXT TO AN ENVIRONMENTALLY SENSITIVE AREA IS NOT RECOMMENDED. WHEN THERE ARE NO FEASIBLE ALTERNATIVES, THE SUPER DUTY SILT FENCE IS TO BE USED AS SHOWN OR AS DIRECTED BY THE ENGINEER.
- ② CRITICAL AREAS INCLUDE WETLANDS, JUDICIAL DITCHES, STREAMS, WATER BODIES, AND OTHER AREAS REQUIRING PROTECTION.
- ③ GEOTEXTILE FABRIC, TYPE WOVEN MONOFILAMENT CONFORMING TO SPEC. 3886, TABLE 3886-1.
- ④ INSTALL TO FIT LAND FORM AND ITEM TO PROTECT.
- ⑤ CERTAIN APPLICATIONS PLASTIC WATER FILLED BARRIER MAY BE USED IN PLACE OF CONCRETE BARRIER OR LINEAR RUNS OF SHEET PILE

STANDARD SHEET NO. 5-297.408(2of2)	TITLE: TEMPORARY SEDIMENT CONTROL SUPER DUTY SILT FENCE
STANDARD APPROVED: NOT YET 5, 2005	
STATE PROJ. NO. _____	SHEET NO. ____ OF ____ SHEETS

REFERENCE DATE
7-7-2004