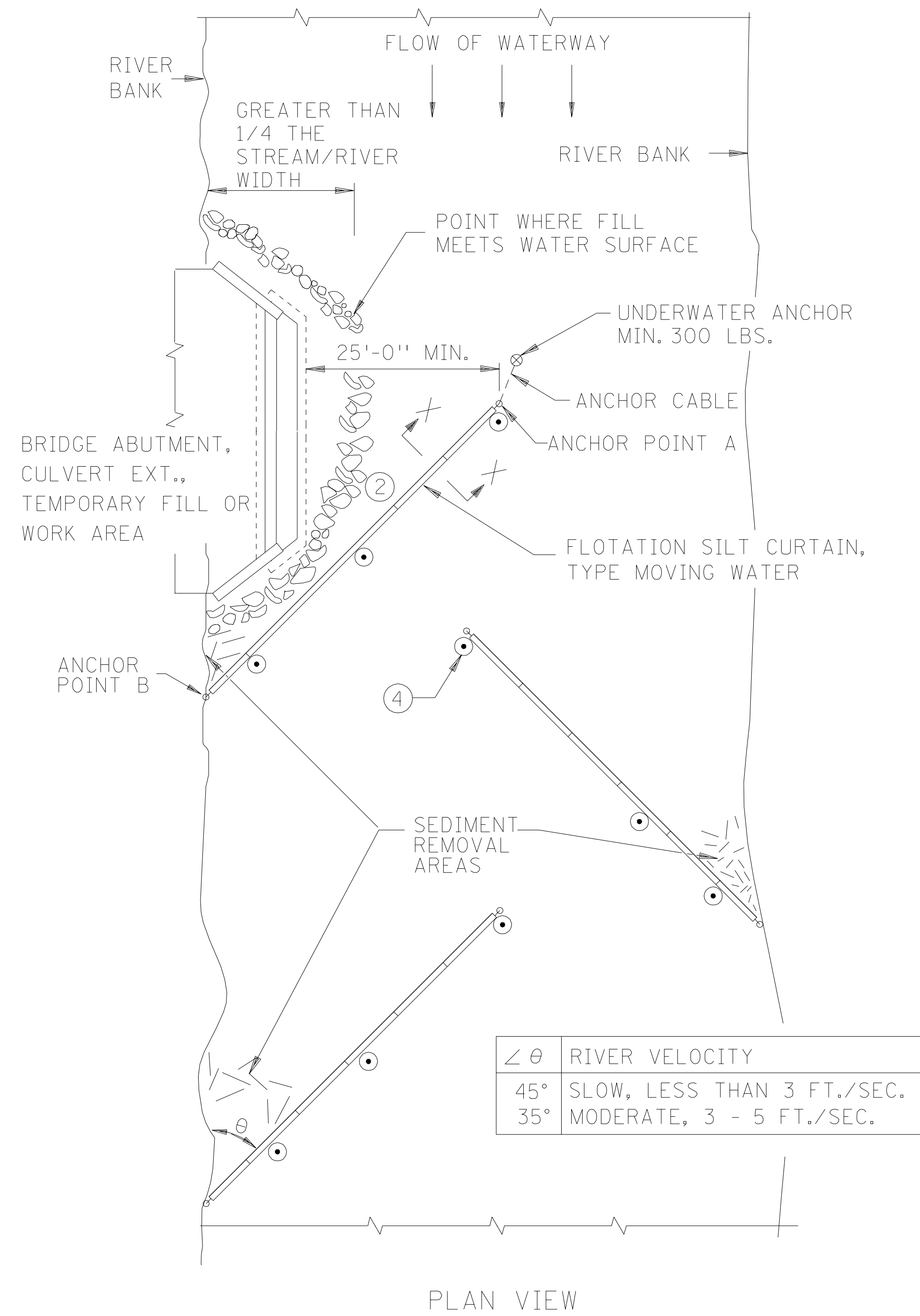


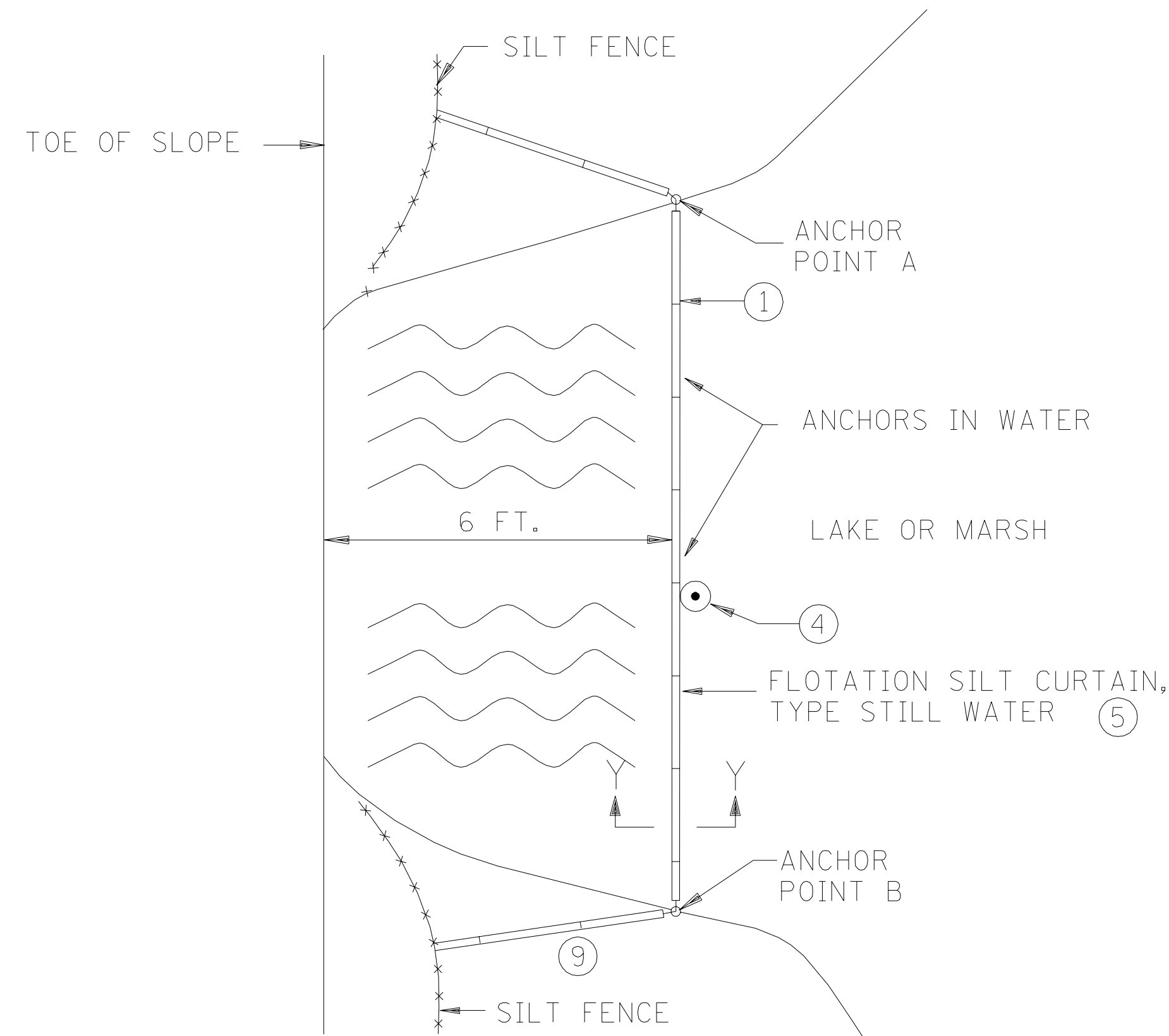
PLOTTED/REVISED: \$\$\$@DATE@\$\$\$

\$\$\$@PATH@ILENAME@\$\$\$

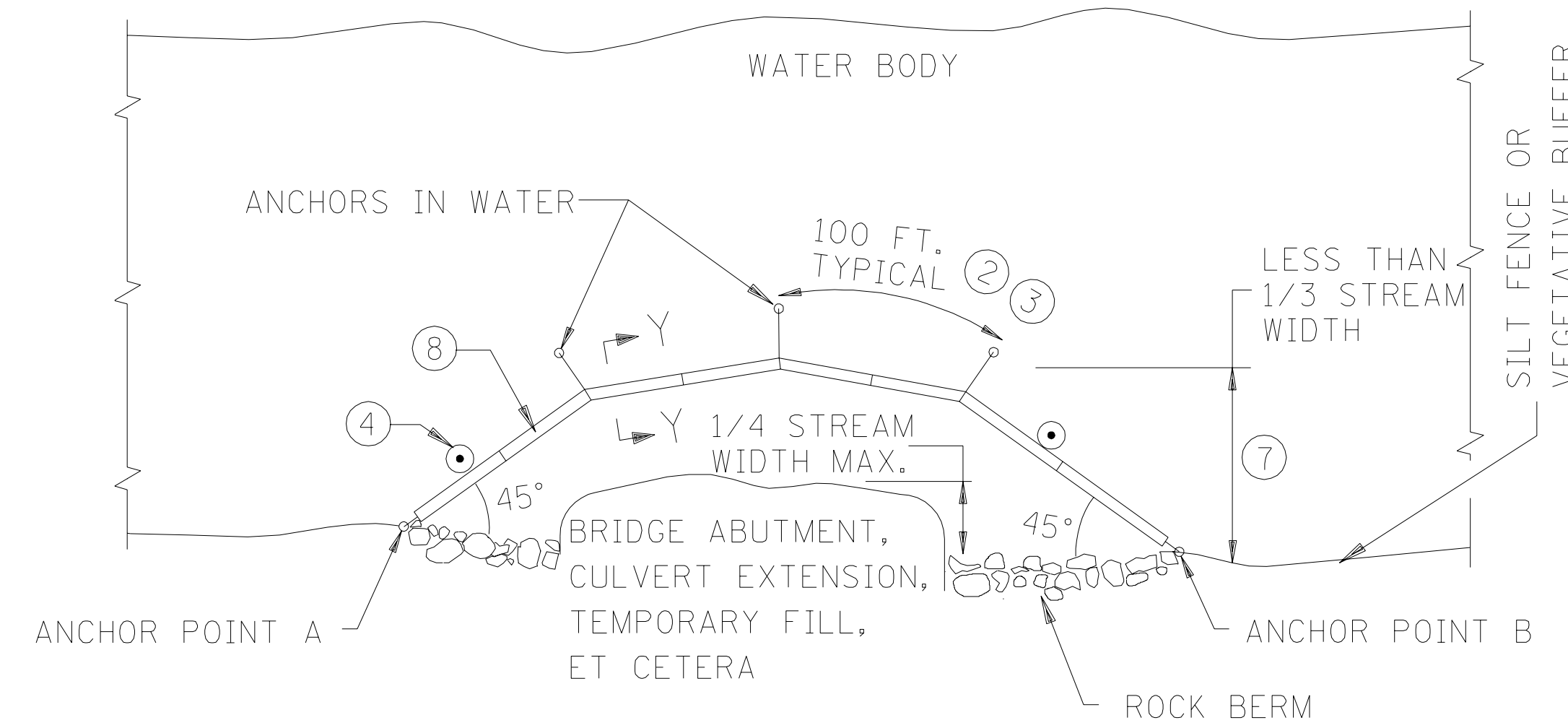
I PLOT NAME: \$\$\$@IPL@T@NAME@\$\$\$
PATH & FILE NAME:
FILE NAME S4051_SPN.DGN



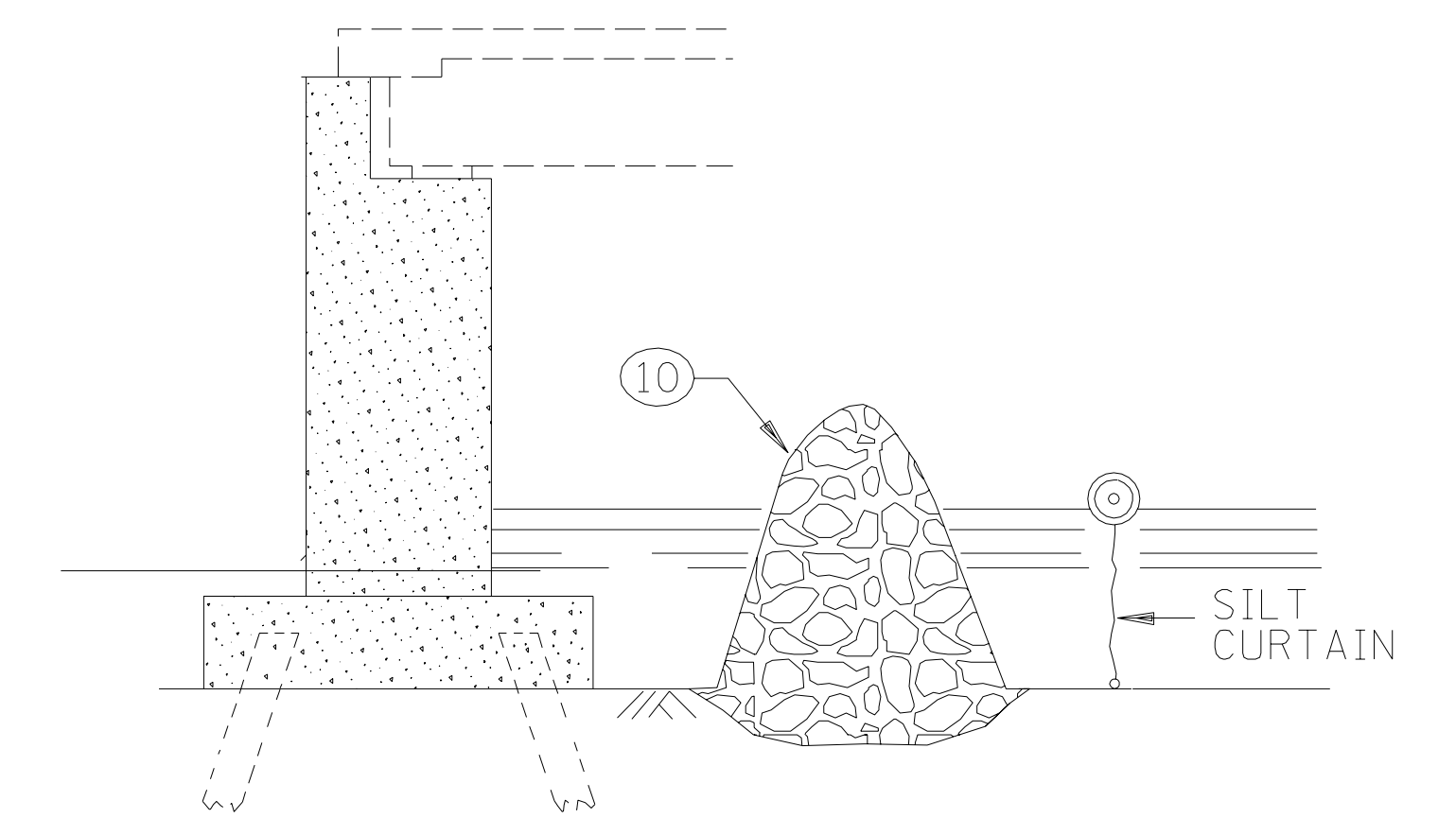
PLAN VIEW



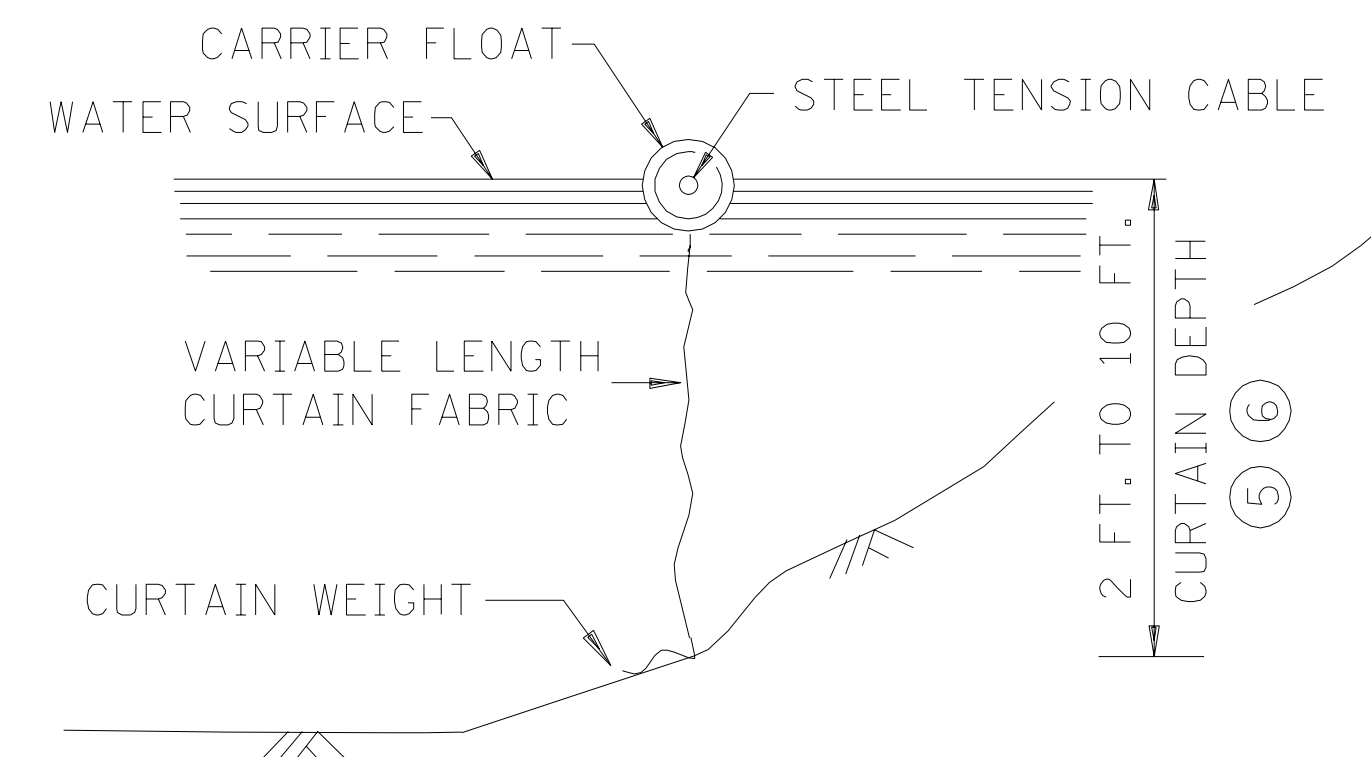
PLAN VIEW (TYPE STILL WATER)
(SPEC. 3887)



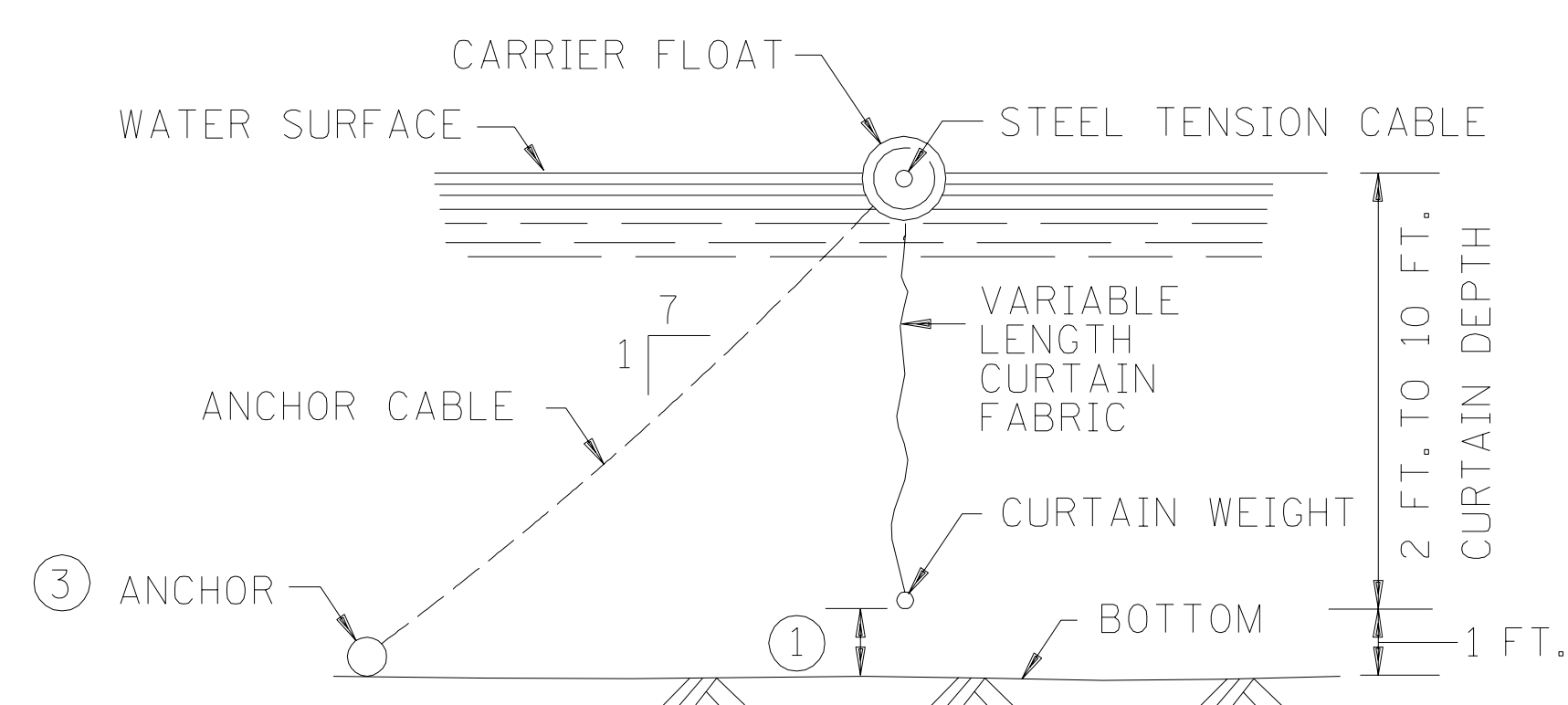
PLAN VIEW (TYPE WORK AREA)
(SPEC. 3887)



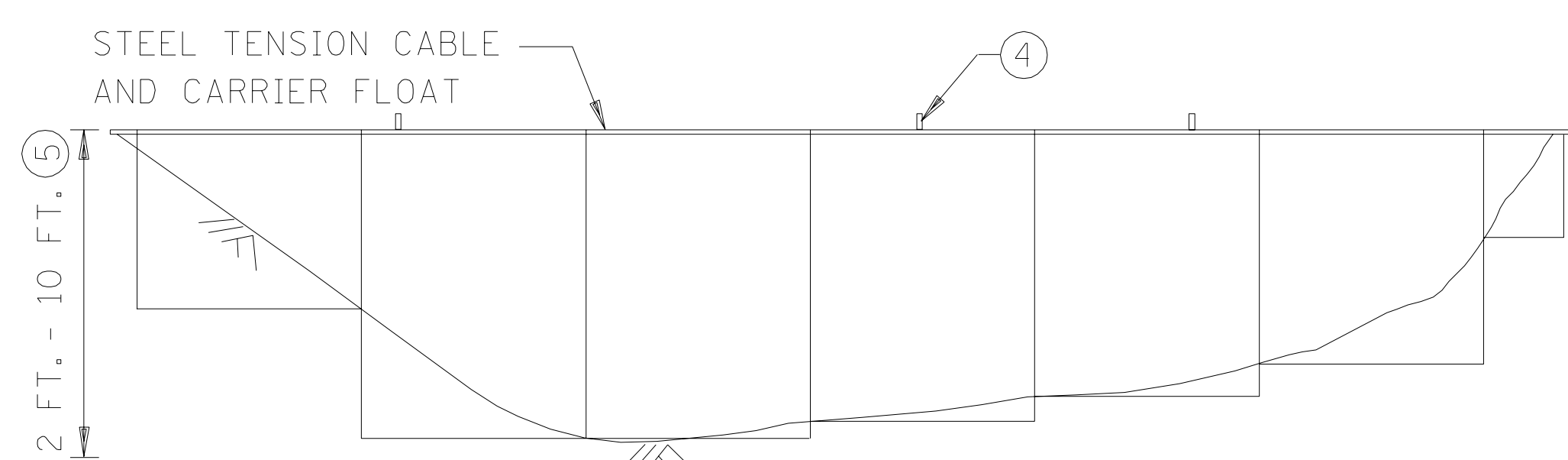
TEMPORARY ROCK BERM
FOR SEDIMENT CONTROL



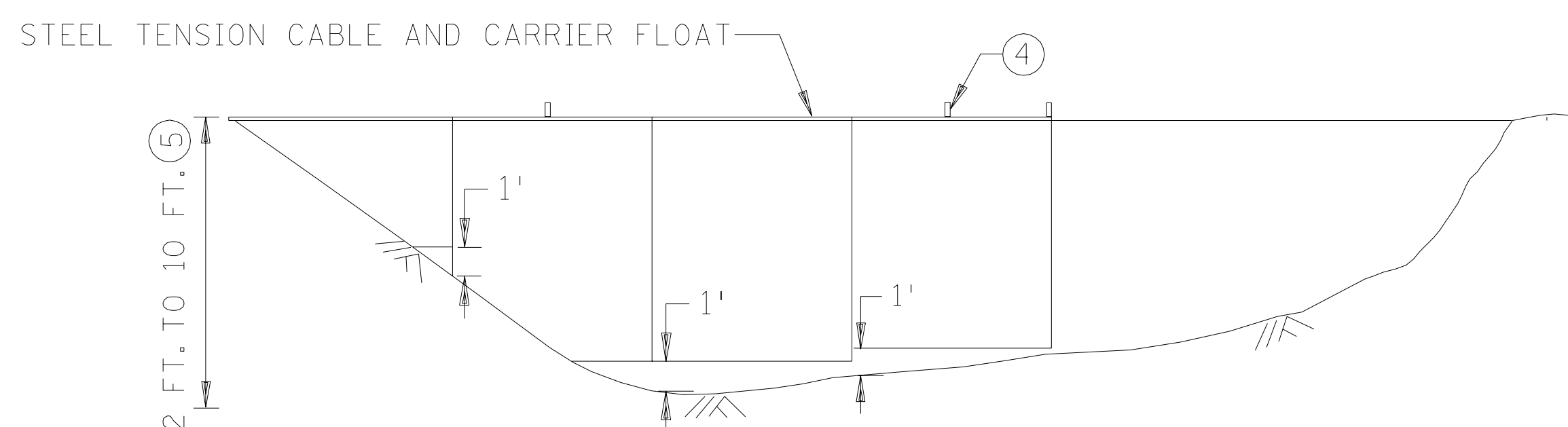
SECTION Y-Y (FOR WORK AREA AND STILL WATER)



SECTION X-X



FLOTATION SILT CURTAIN - TYPE WORK AREA AND STILL WATER
FOR CONTAINING OVERFLOWS FROM WEIRS, STANDPIPES, SETTLING PONDS
(SPEC. 3887)



FLOTATION SILT CURTAIN - TYPE MOVING WATER

USE FOR SMALLER RIVERS
WITH SLOW VELOCITY
(SPEC. 3887)

DESIGN GUIDELINES:
TYPE: MOVING WATER

WHEN TEMPORARY FILL ENCLOSES MORE THAN 1/4 BUT LESS THAN 1/3 WIDTH OF THE STREAM.
MINIMUM WATER DEPTH: 3 FT.
MAXIMUM WATER DEPTH: 11 FT.
MAXIMUM WATER VELOCITY: 5 FT./SEC. ① ⑥

DESIGN GUIDELINES:
TYPE: WORK AREA

WHEN TEMPORARY FILL ENCLOSES LESS THAN 1/4 OF THE WIDTH OF STREAM.
MAXIMUM WATER VELOCITY: 5 FT./SEC.
MAXIMUM WATER DEPTH: 10 FT.

DESIGN GUIDELINES:
TYPE: STILL WATER ⑥

MAXIMUM WATER DEPTH: 10 FT.
MINIMUM WATER DEPTH: 0 FT.

NOTES:

SEE SPECS. 2573 & 3887.

- ① CURTAIN EXTENDS TO 1 FT. FROM BOTTOM OF WATER BODY.
- ② 100 FT. MAX. SPACING BETWEEN ANCHORS. ANCHORS WEIGH MIN. 40 LBS..
- ③ USE ENOUGH ANCHORS TO HOLD SILT CURTAIN IN PLACE.
- ④ ON U.S. COAST GUARD OR OTHER MOTORIZED WATERWAYS, BUOYS ARE REQUIRED TO MARK THE ENDS AND SPECIAL AREAS FOR VISIBILITY. PLACE BUOYS AS REQUIRED FOR NAVIGATIONAL PURPOSES.
- ⑤ THE DEPTH OF THE SILT CURTAIN VARIES.
- ⑥ SILT CURTAIN HEIGHTS INCLUDES MAXIMUM WAVE HEIGHT FOR WATER BODY.
- ⑦ KEEP AS CLOSE TO WORK AREA AS POSSIBLE.
- ⑧ SILT CURTAIN, ROCK BERM OR SHEET PILE AS REQUIRED TO CONTROL THE INFILTRATION OF SILT.
- ⑨ IF 6 INCHES OR LESS OF WATER, USE BALE BARRIERS. SEE SHEET 2.
- ⑩ SEE BRIDGE PLANS FOR RIP RAP SIZE SPECIFIED FOR SLOPE AND ABUTMENT PROTECTION.

STANDARD SHEET NO.
5-297.405 (1 OF 4)

STANDARD APPROVED:
NOT APPROVED

TITLE:
TEMPORARY SEDIMENT CONTROL
SILT CURTAIN

REFERENCE DATE
8-18-05

STATE PROJ. NO. _____ SHEET NO. ____ OF ____ SHEETS